

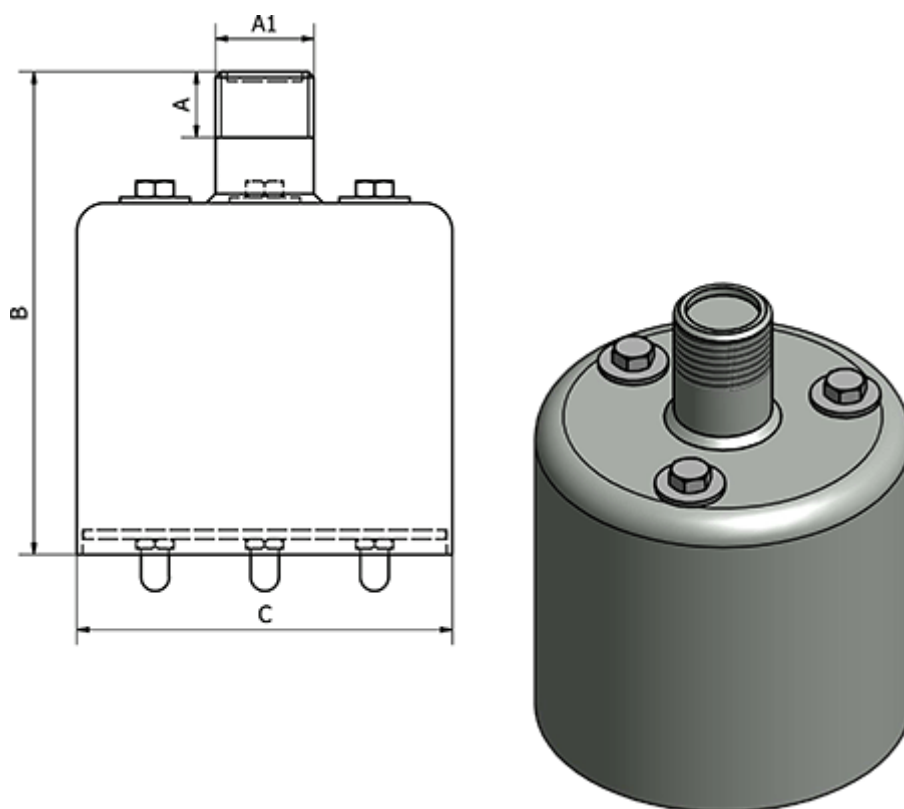
Data Sheet



Article number: 5865706

Description: Silencers with Hi-flow 570-6, - G 2"
Silencer With Hi-Flow

Measures



A	= 24
B	= 172
C	= 150
Thread A1	= G 2"